

正角电子™



VS3 系列电压传感器的初、次级之间是绝缘的，可用于测量直流、交流和脉冲电压。

VS3 series current mode voltage sensor is a device based on the principle of the hall effect, with a galvanic isolation between primary and secondary circuit. It provides accurate electronic measurement of DC AC or pulsed currents.



电参数 Electrical data (Ta=25°C ±5°C, RL=2KΩ, CL=10000PF)

Type	VS3-100V	VS3-200V	VS3-300V	VS3-500V	VS3-1000V	单位 Unit
额定输入电压(Vpn) Rated voltage(Vpn)	±100	±200	±300	±500	±1000	V
测量电压范围(Vp) Measure range(Vp)	0—±150	0—±300	0—±450	0—±750	0—±1100	V
额定输出电压(DC) Rated output	@Vp=±Vpn ±5					V
匝比 (Np/Ns) Turns ratio(Np/Ns)	4000:1000					T
测量电阻 Measure resister	54~360					Ω
电源电压 Supply voltage	±12, ±15					V
功耗电流 Power Consumption	≤20+IpX(Np/Ns)					mA
失调电压 Offset voltage	@Vp=0		±50			mV
失调电压温漂 Offset drift	@ -40~+85°C		≤±2			mV / °C
线性度 Linearity	@Vp=0-±Vpn		≤1			%FS
响应时间 Response time	≤100					μS
绝缘电压 Galvanic isolation	@ 50HZ,AC,1min		2.5			KV

应用 Applications

- 变频调速系统

Variable speed drives

- 电焊机

Welding machine

- 通讯电源

Battery supplied applications

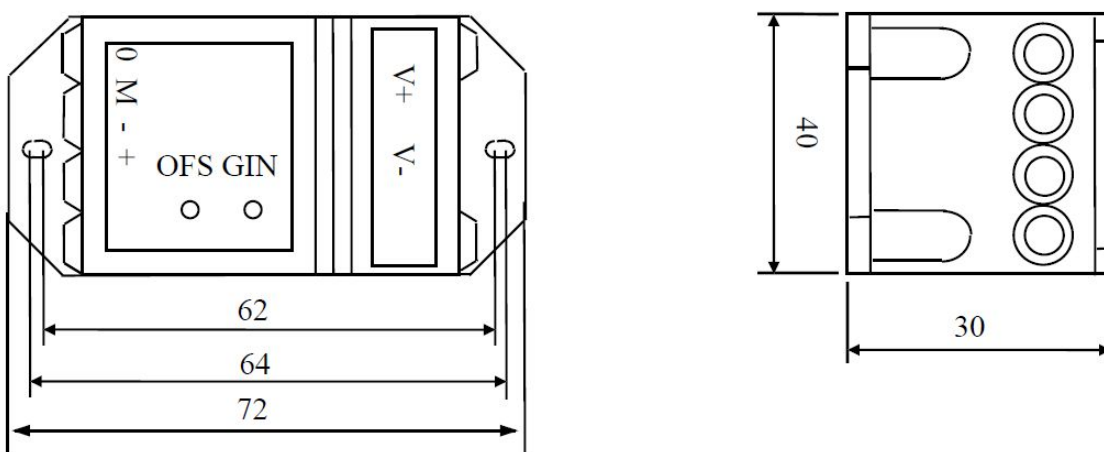
- 不间断电源 UPS

Uninterruptible Power Supplies (UPS)

- 电化学

Electrochemical

结构参数 Mechanical dimension(for reference only)



Remarks:

1. All dimensions are in mm.

2. General tolerance ± 1 mm.

3. Elucidation: 1: +V 2: -V

3(+): +15V 4(-): -15V 5(M): VOUT 6(O): OV

使用说明 Directions for use

1. 当待测电压从传感器穿过，即可在输出端测得电流大小。(注意：错误的接线可能导致传感器损坏)

When the voltage will be measured goes through a sensor, the current will be measured at the output end.

(Note: The false wiring may result in the damage of the sensor)

2. 可按用户需求定制不同额定输入电压和输出电流的传感器。

Custom design in the different rated input voltage and the output current are available.

执行标准 Standards

- UL94-V0.
- EN60947-1:2004
- IEC60950-1:2001
- EN50178:1998
- SJ 20790-2000

总体参数 General data

	数值 Value	单位Unit
工作温度 (TA) Operating temperature	-40 to +85	℃
储存温度 (TS) Storage temperature	-40 to +125	℃
毛重(约) (M) Mass(approx)	200	g

特性图 Characteristics chart

抗脉冲电压干扰特性

Effects of impulse noise



输出电压
(Output voltage)