

**K3T 系列开环型霍尔电流传感器**  
**K3T Series Open Loop Mode**  
**Hall Effect Current Sensor**

正角电子™



K3T系列开环型霍尔电流传感器的初、次级之间是绝缘的，用于控制、测量直流、交流和脉冲电流。

K3T series hall effect current sensor is an open loop device based on the measuring principle of the hall effect, with a galvanic isolation between primary and secondary circuit. It provides accurate electronic measurement of DC, AC or pulsed currents.



**电参数 Electrical data (Ta=25℃±5℃,RL=2KΩ,CL=1000PF)**

Type	K3T-50A	K3T-100A	K3T-200A	K3T-400A	K3T-600A	单位 Unit
额定输入电流(Ipn) Rated current(Ipn)	±50	±100	±200	±400	±600	A
测量电流范围(Ip) Measure range(Ip)	0—±75	0—±150	0—±300	0—±600	0—±900	A
额定输出电压 Rated output	@Ip= ±Ipn ±2±1%					V
零点电压 Zero voltage	@Ip=0 5±0.5%					V
电源电压 Supply voltage	+12, +15, +24					V
功耗电流 Power Consumption	≤15					mA
零点失调电压 Zero offset voltage	@Ip=0 ±20					mV
磁失调电压 Magnetic offset	@Ip= ±Ipn-0 ±15					mV
失调电压温漂 Offset drift	@ -40~+85℃ ≤±0.5					mV/℃
输出电压温漂 Output drift	@ -40~+85℃ ≤±0.5					mV/℃
线性度 Linearity	@Ip=0- ±Ipn ≤1					%FS
响应时间 Response time	@50A/μS, 10%-90% ≤7					μs
绝缘电压 Galvanic isolation	@ 50HZ,AC,1min 2.5					KV

### 应用 Applications

- 交流变频驱动器

AC variable speed drives

- 直流电机驱动静态转换器

Static converters for DC motor drives

- 变频调速系统

Variable speed drives

- 电焊机

Power supplies for welding applications

- 通讯电源

Battery supplied applications

- 不间断电源UPS

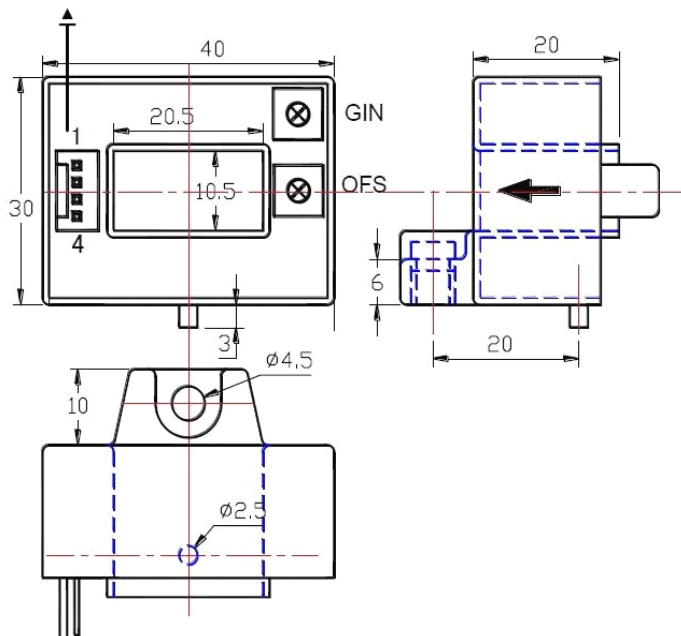
Uninterruptible Power Supplies (UPS)

- 开关电源

Switched Mode Power Supplies (SMPS)

### 结构参数 Mechanical dimension(for reference only)

2510-4A



Remarks:

1. All dimensions are in mm.
2. General tolerance  $\pm 1$ mm.
3. Elucidation: 1:+12V 2:OV 3:V<sub>OUT</sub> 4:NC

### 使用说明 Directions for use

1. 当待测电流从传感器穿过，即可在输出端测得电压大小。(注意：错误的接线可能导致传感器损坏)

When the current will be measured goes through a sensor, the voltage will be measured at the output

**K3T 系列开环型霍尔电流传感器**  
**K3T Series Open Loop Mode**  
**Hall Effect Current Sensor**

end. (Note: The false wiring may result in the damage of the sensor)

2. 传感器的输出幅度可根据用户需要进行适当调节。

Customs can adjust output amplitude of the sensor by needs.

3. 可按用户需求定制不同额定输入电流和输出电压的传感器。

Custom design in the different rated input current and the output voltage are available.

**执行标准 Standards**

- UL94-V0.
- EN60947-1:2004
- IEC60950-1:2001
- EN50178:1998
- SJ 20790-2000

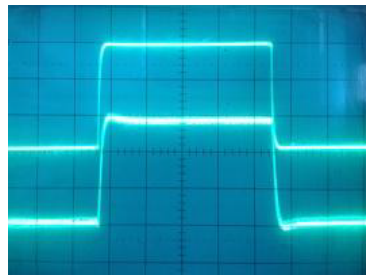
**总体参数 General date**

	数值 Value	单位Unit
工作温度 (TA) Operating temperature	-40 to +85	℃
储存温度 (TS) Storage temperature	-40 to +125	℃
毛重(约) (M) Mass(approx)	55	g

**特性图 Characteristics chart**

脉冲电流信号响应特性

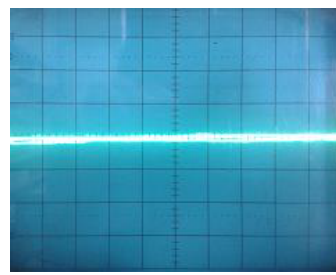
Pulse current signal response characteristic



输入信号  
( Input signal )  
输出信号  
( Output signal )

抗脉冲电压干扰特性

Effects of impulse noise



输出电压  
( Output voltage )