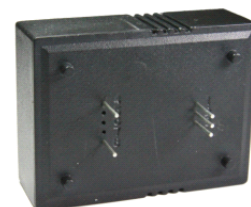


正角电子™



A-VS2 系列电压传感器的初、次级之间是绝缘的，可用于测量直流、交流和脉冲电压。

A-VS2 series current mode voltage sensor is a device based on the principle of the hall effect, with a galvanic isolation between primary and secondary circuit. It provides accurate electronic measurement of DC AC or pulsed currents.



电参数 Electrical data (Ta=25°C ± 5°C, RL=2K Ω, CL=10000PF)

| Type | A-VS2-50V | A-VS2-100V | A-VS2-200V | A-VS2-500V | A-VS2-800V | 单位 Unit |
|---|--------------------|------------|------------|------------|------------|------------|
| 额定输入电压(Vpn AC) Rated voltage(Vpn AC) | ± 50 | ± 100 | ± 200 | ± 500 | ± 800 | V |
| 测量电压范围(Vp AC) Measure range(Vp AC) | 0—±100 | 0—±200 | 0—±400 | 0—±1000 | 0—±1000 | V |
| 额定输出电流(DC) Rated output | @Vp=±Vpn ±20±1% | | | | | mA |
| 匝比 (Np/Ns) Turns ratio(Np/Ns) | 3000:1200 | | | | | T |
| 测量电阻 Measure resister | 54~360 | | | | | Ω |
| 电源电压 Supply voltage | ±12, ±15 | | | | | V |
| 功耗电流 Power Consumption | ≤20+IpX(Np/Ns) | | | | | mA |
| 失调电流 Offset current | @Vp=0 ±0.2 | | | | | mA |
| 失调电流温漂 Offset drift | @ -40~+85°C ≤±0.5 | | | | | mA /°C |
| 线性度 Linearity | @Vp=0-±Vpn ≤0.2 | | | | | %FS |
| 响应时间 Response time | ≤20 | | | | | ms |
| 绝缘电压 Galvanic isolation | @ 50HZ,AC,1min 2.5 | | | | | KV |

A-VS2 系列霍尔电压传感器
A-VS2 Series Hall Effect Voltage Sensor

应用 Applications

- 变频调速系统

Variable speed drives

- 电焊机

Welding machine

- 通讯电源

Battery supplied applications

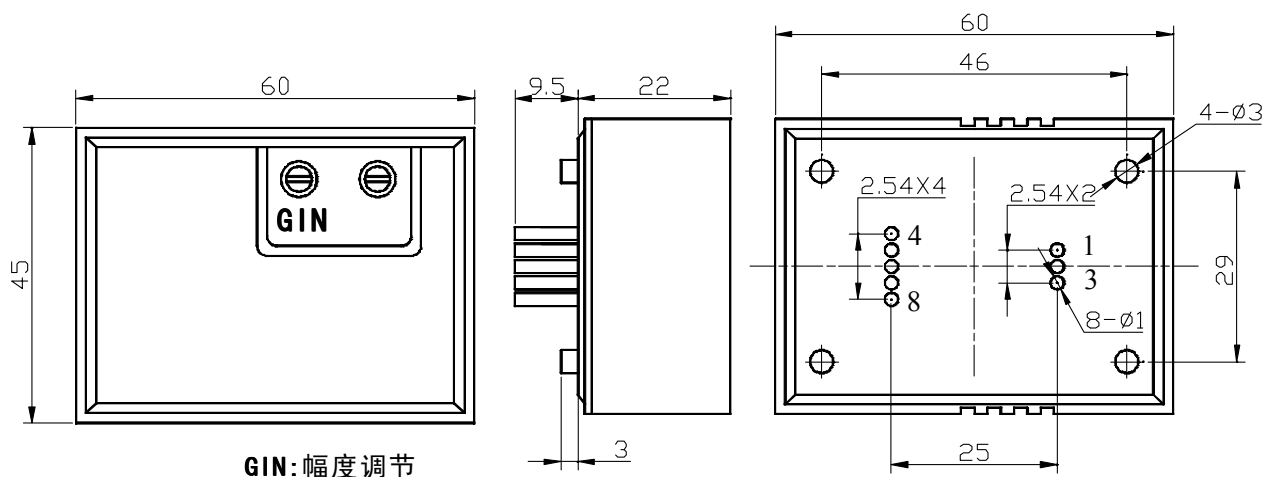
- 不间断电源 UPS

Uninterruptible Power Supplies (UPS)

- 电化学

Electrochemical

结构参数 Mechanical dimension(for reference only)



GIN: 幅度调节

Remarks:

1. All dimensions are in mm.

2. General tolerance ± 1 mm.

3. Elucidation: 1: +V 2: NC 3: -V

4: +15V 5: NC 6: OV 7: -15V 8: IOUT

使用说明 Directions for use

1. 当待测电压从传感器穿过，即可在输出端测得电流大小。(注意：错误的接线可能导致传感器损坏)

When the voltage will be measured goes through a sensor, the current will be measured at the output end.

(Note: The false wiring may result in the damage of the sensor)

2. 可按用户需求定制不同额定输入电流和输出电流的传感器。

Custom design in the different rated input current and the output current are available.

A-VS2 系列霍尔电压传感器
A-VS2 Series Hall Effect Voltage Sensor

执行标准 Standards

- UL94-V0.
- EN60947-1:2004
- IEC60950-1:2001
- EN50178:1998
- SJ 20790-2000

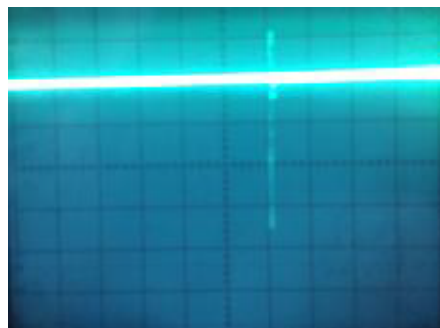
总体参数 General data

| | 数值 Value | 单位Unit |
|------------------------------------|-------------|--------|
| 工作温度 (TA) Operating temperature | -40 to +85 | ℃ |
| 储存温度 (TS) Storage temperature | -40 to +125 | ℃ |
| 毛重(约) (M) Mass(approx) | 43 | g |

特性图 Characteristics chart

抗脉冲电压干扰特性

Effects of impulse noise



输出电压
(Output voltage)