

A-D6T 系列闭环型霍尔电流变送器
A-D6T Series Closed Loop Mode
Hall Effect Current Transmitter

正角电子™



A-D6T系列闭环型霍尔电流变送器的初、次级之间是绝缘的，用于测量交流和脉冲电流。

A-D6T series hall effect current Transmitter is an Closed loop device based on the measuring principle of the hall effect, with a galvanic isolation between primary and secondary circuit. It provides accurate electronic measurement of AC or pulsed currents.



电参数 Electrical data (Ta=25℃±5℃)

Type	A-D6T-100A	A-D6T-200A	A-D6T-300A	A-D6T-400A	A-D6T-500A	单位 Unit
额定输入电流(I _{pn} AC) Rated current(I _{pn} AC)	100	200	300	400	500	A
测量电流范围(I _p AC) Measure range(I _p AC)	0—120	0—240	0—360	0—480	0—600	A
额定输出电流 (I _o DC) Rated output	@I _p =±I _{pn} AC 4~20±1%					mA
电源电压 Supply voltage	+12~+32V					V
功耗电流 Power Consumption	+35+ I _o					mA
零点电流 Zero current	@I _p =0		4±0.1			mA
失调电流温漂 Offset drift	@ -40~+85℃		≤±0.005			mA /℃
输出电流温漂 Output drift	@ -40~+85℃		≤±0.005			mA /℃
线性度 Linearity	@I _p =0-±I _{pn}		≤0.5			%FS
响应时间 Response time	≤300					ms
绝缘电压 Galvanic isolation	@ 50HZ,AC,1min		5			KV
带宽 Bandwidth	20~20000					HZ

A-D6T 系列闭环型霍尔电流变送器
A-D6T Series Closed Loop Mode
Hall Effect Current Transmitter

应用 Applications

- 变频调速系统

Variable speed drives

- 电焊机

Welding machine

- 通讯电源

Battery supplied applications

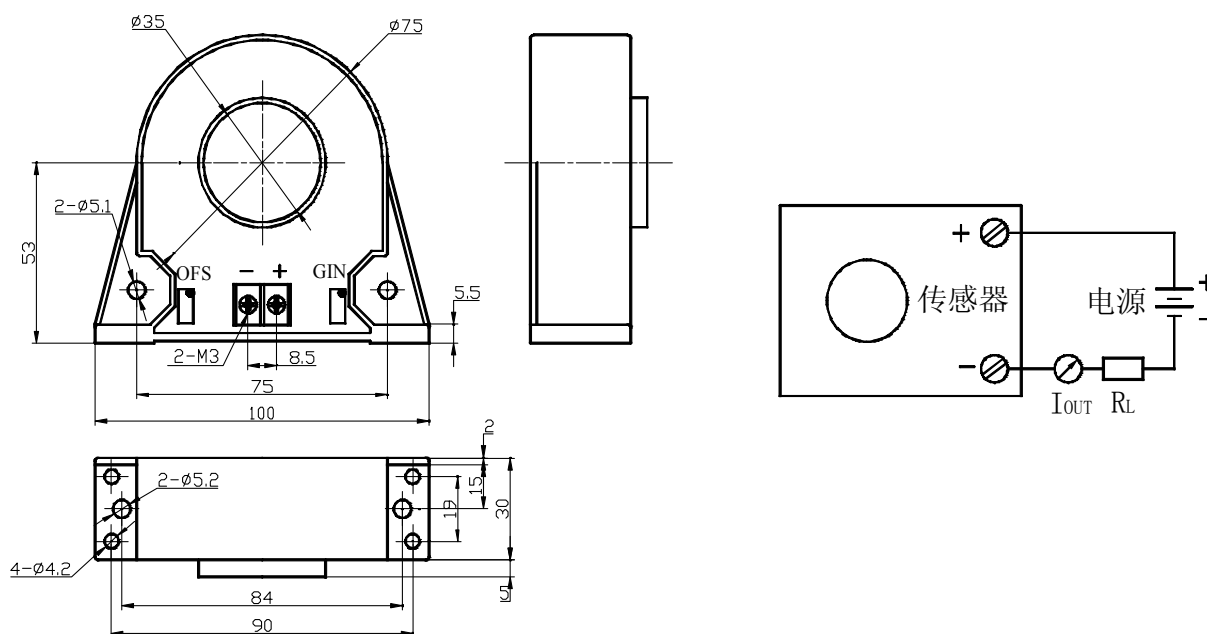
- 不间断电源 UPS

Uninterruptible Power Supplies (UPS)

- 电化学

Electrochemical

结构参数 Mechanical dimension(for reference only)



Remarks:

1. All dimensions are in mm.
2. General tolerance ± 1 mm.

使用说明 Directions for use

1. 当待测电流从变送器穿过，即可在输出端测得电流大小。(注意：错误的接线可能导致变送器损坏)

When the current will be measured goes through a Transmitter, the current will be measured at the output end.(Note: The false wiring may result in the damage of the Transmitter)

2. 变送器的输出幅度可根据用户需要进行适当调节。

The output amplitude of the transmitter can be adjusted according to users' requirements.

A-D6T 系列闭环型霍尔电流变送器
A-D6T Series Closed Loop Mode
Hall Effect Current Transmitter

3. 可按用户需求定制不同额定输入电流和输出电流的变送器。

Custom design in the different rated input current and the output current are Transmitter.

执行标准 Standards

- UL94-V0.
- EN60947-1:2004
- IEC60950-1:2001
- EN50178:1998
- SJ 20790-2000

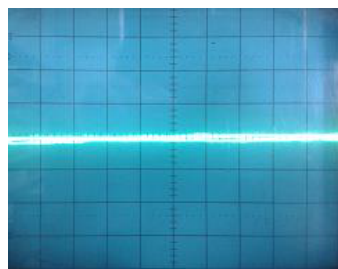
总体参数 General date

	数值 Value	单位Unit
工作温度 (TA) Operating temperature	-40 to +85	℃
储存温度 (TS) Storage temperature	-40 to +125	℃
毛重(约) (M) Mass(approx)	260	g

特性图 Characteristics chart

抗脉冲电压干扰特性

Effects of impulse noise



输出电压
(Output voltage)