

A-C3 系列开环型可拆卸霍尔电流变送器
A-C3 Series Open Loop Mode Dismountable
Hall Effect Current Transmitter

正角电子™



A-C3系列开环型可拆卸霍尔电流变送器的初、次级之间是绝缘的，用于测量交流和脉冲电流。

A-C3 series dismantlable hall effect current Transmitter is an open loop device based on the measuring principle of the hall effect, with a galvanic isolation between primary and secondary circuit. It provides accurate electronic measurement of AC or pulsed currents.



电参数 Electrical data (Ta=25℃±5℃)

Type	A-C3-200A	A-C3-500A	A-C3-800A	A-C3-1000A	A-C3-1500A	A-C3-2000A	单位 Unit
额定输入电流(I _p AC) Rated current(I _p AC)	200	500	800	1000	1500	2000	A
测量电流范围(I _p AC) Measure range(I _p AC)	0—400	0—1000	0—1600	0—2000	0—3000	0—3000	A
额定输出电压 (V _o DC) Rated output	@I _p =±I _p AC 5±1%						V
电源电压 Supply voltage	±12, ±15						V
功耗电流 Power Consumption	25						mA
失调电压 Offset voltage	@I _p =0 ±30						mV
失调电压温漂 Offset drift	@ -40~+85℃ ≤±1						mV /℃
输出电压温漂 Output drift	@ -40~+85℃ ≤±1						mA /℃
线性度 Linearity	@I _p =0-±I _p ≤1						%FS
响应时间 Response time	≤200						ms
绝缘电压 Galvanic isolation	@ 50HZ,AC,1min 5						KV
带宽 Bandwidth	40~20000						HZ

A-C3 系列开环型可拆卸霍尔电流变送器
A-C3 Series Open Loop Mode Dismountable
Hall Effect Current Transmitter

应用 Applications

- 变频调速系统

Variable speed drives

- 电焊机

Welding machine

- 通讯电源

Battery supplied applications

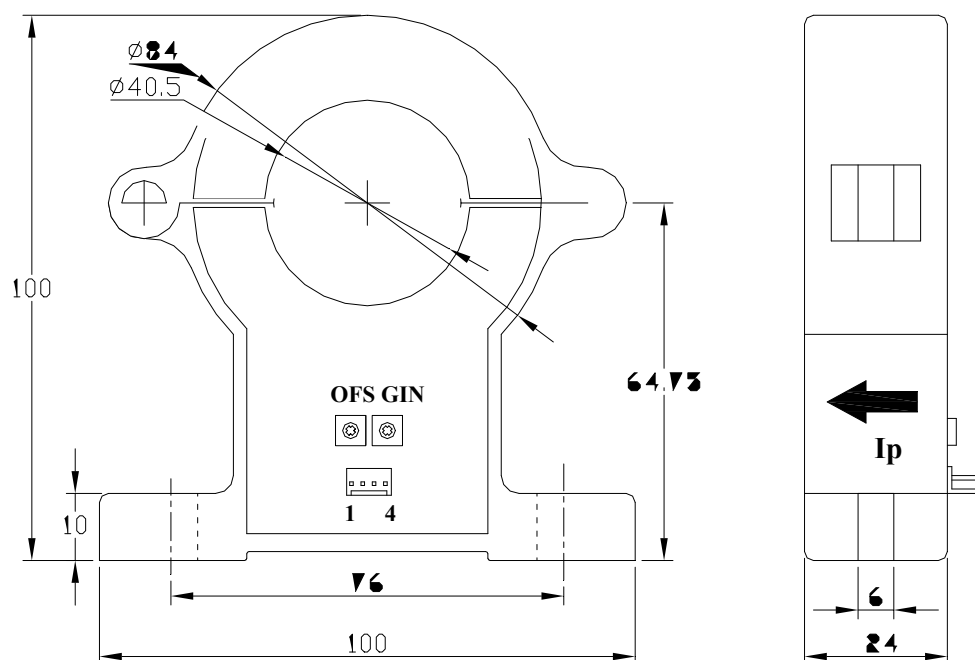
- 不间断电源 UPS

Uninterruptible Power Supplies (UPS)

- 电化学

Electrochemical

结构参数 Mechanical dimension(for reference only)



Remarks:

1. All dimensions are in mm.
2. General tolerance ± 1 mm.
3. Elucidation: 1:+15V 2: -15V 3:V_{OUT} 4:0V

使用说明 Directions for use

1. 当待测电流从变送器穿过，即可在输出端测得电压大小。(注意：错误的接线可能导致变送器损坏)

When the current will be measured goes through a transmitter, the voltage will be measured at the output end. (Note: The false wiring may result in the damage of the transmitter)

A-C3 系列开环型可拆卸霍尔电流变送器 A-C3 Series Open Loop Mode Dismountable Hall Effect Current Transmitter

2. 变送器的输出幅度可根据用户需要进行适当调节。

Customs can adjust output amplitude of the transmitter by needs.

3. 可按用户需求定制不同额定输入电流和输出电压的变送器。

Custom design in the different rated input current and the output voltage are available.

执行标准 Standards

- UL94-V0.
- EN60947-1:2004
- IEC60950-1:2001
- EN50178:1998
- SJ 20790-2000

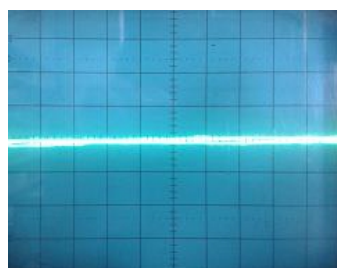
总体参数 General date

	数值 Value	单位Unit
工作温度 (TA) Operating temperature	-40 to +85	℃
储存温度 (TS) Storage temperature	-40 to +125	℃
毛重(约) (M) Mass(approx)	300	g

特性图 Characteristics chart

抗脉冲电压干扰特性

Effects of impulse noise



输出电压
(Output voltage)