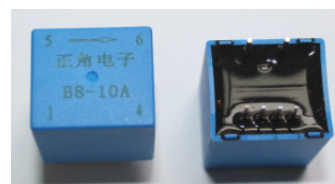


正角电子™



B8 闭环型霍尔电流传感器的初、次级之间是绝缘的，可用于测量直流、交流和脉冲电流。

B8 series current sensor is a closed loop device based on the measuring principle of the hall effect and null balance method, with a galvanic isolation between primary and secondary circuit. It provides accurate electronic measurement of DC, AC or pulsed currents.



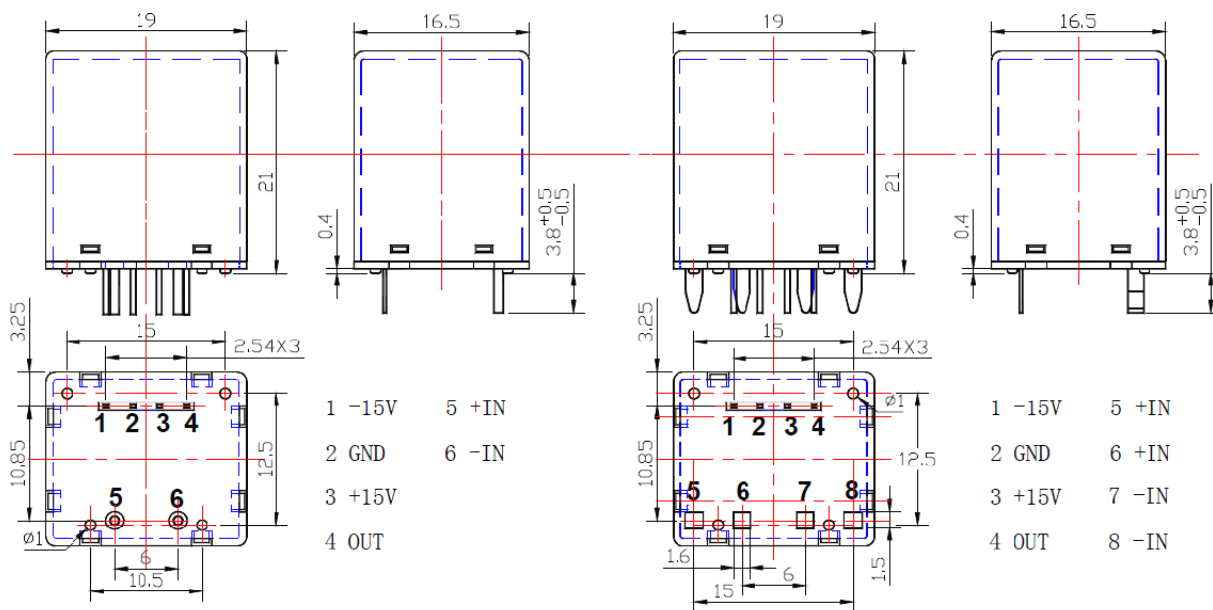
**电参数 Electrical data (Ta=25°C ± 5°C)**

Type	B8-05A	B8-10A	B8-15A	B8-20A	B8-25A	B8-30A	单位 Unit
额定输入电流 (I <sub>pn</sub> ) Rated current (I <sub>pn</sub> )	5	10	15	20	25	30	A
测量电流范围 (I <sub>p</sub> ) Measure range (I <sub>p</sub> )	10	20	30	40	50	60	A
匝比 (N <sub>p</sub> /N <sub>s</sub> ) Turns ratio(N <sub>p</sub> /N <sub>s</sub> )	5: 2500	3: 3000	2: 3000	1: 2000	1: 2500	1: 3000	T
内接取样电阻 Internal resister	400	400	400	400	400	400	Ω
输入脚尺寸 Size of input pins	∅0.6	∅0.8	∅1.0	∅1.4	∅1.4	∅1.6	mm
额定输出电压 Rated output	@I <sub>p</sub> = ± I <sub>pn</sub> ±4 ±0.5%						V
电源电压 Supply voltage	±12V, ±15V						V
功耗电流 Power Consumption	≤25						mA
零点失调电压 Zero offset voltage	@I <sub>p</sub> =0 ≤ ±30						mV
失调电压温漂 Offset voltage drift	@ -40~+85°C ≤ ±0.5						mV / °C
线性度 Linearity	@I <sub>p</sub> =0- ± I <sub>pn</sub> ≤0.1						%FS
响应时间 Response time	@50A/μ S, 10%-90% ≤1						μS
绝缘电压 Galvanic isolation	@ 50HZ, AC, 1min 2.5						KV

**应用 Applications**

- 交流变频驱动器  
AC variable speed drives
- 直流电机驱动静态转换器  
Static converters for DC motor drives
- 通讯电源  
Battery supplied applications
- 不间断电源 UPS  
Uninterruptible Power Supplies (UPS)
- 开关电源  
Switched Mode Power Supplies (SMPS)
- 电焊机  
Power supplies for welding applications

**结构参数 Mechanical dimension(for reference only)**



**Remarks:**

1. All dimensions are in mm.
2. Secondary pin size and tolerance: width: $0.5 \pm 0.1$ mm; thickness: $0.25 \pm 0.05$ mm
3. General tolerance  $\pm 1$ mm

**使用说明 Directions for use**

1. 当待测电流从传感器穿过，即可在输出端测得电压大小。(注意：错误的接线可能导致传感器损坏)  
When the current will be measured goes through a sensor, the voltage will be measured at the output end. (Note: The false wiring may result in the damage of the sensor)

**B8 系列闭环型霍尔电流传感器**  
**B8 Series Closed Loop Mode**  
**Hall Effect Current Sensor**

2. 可按用户需求定制不同额定输入电流和输出电压的传感器。

Custom design in the different rated input current and the output voltage are available.

**执行标准 Standards**

- UL94-V0.
- EN60947-1:2004
- IEC60950-1:2001
- EN50178:1998
- SJ 20790-2000

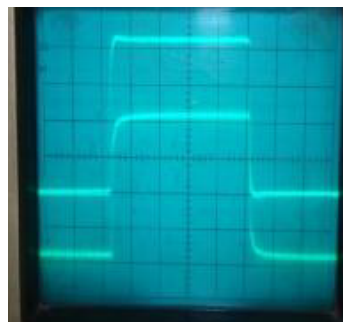
**总体参数 General date**

	数值 Value	单位Unit
工作温度 (TA) Operating temperature	-40 to +85	℃
储存温度 (TS) Storage temperature	-40 to +125	℃
毛重(约) (M) Mass(approx)	12	g

**特性图 Characteristics chart**

脉冲电流信号响应特性

Pulse current signal response characteristic



输入信号  
( Input signal )  
输出信号  
( Output signal )

抗脉冲电压干扰特性

Effects of impulse noise



输出电压  
( Output voltage )